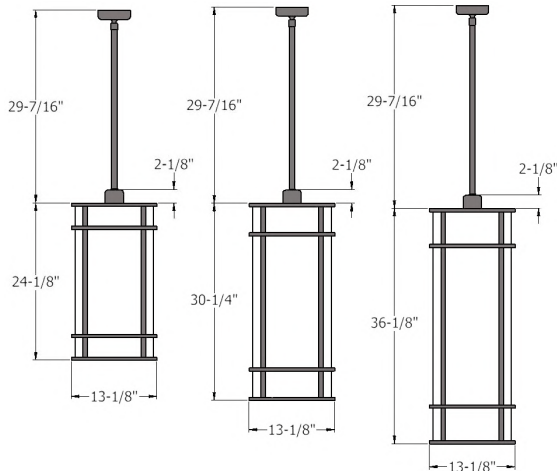




DIMENSIONS

Dimensions Shown for Custom 24" Stem Length



Catalog Number

Project Name & Location

Type

Product Specifications

CAGE: Extruded aluminum bars. Top & Bottom bars are standard.

DIFFUSER: White translucent, non-yellowing 100% virgin acrylic, .125 Thick (1/8"), 12" I.D with top and bottom bars as standard.

See Lensing Options on Page 2 for details.

DRIVER: Universal Volt (120-277v) electronic driver with standard 0-10VDC dimming.

FINISH: Corrosion and Weather resistant, extremely durable pre-treated oven baked polyester powder.

MOUNTING: 72" stem is standard. Swivel and Static canopies as well as Rapid Mount options are available. See Page 2 for details.

COMPLIANCE: Built to comply with U.S. and Canadian safety standards - Suitable for indoor dry locations.

order example:

BN-PM-36-SW72-LED60-DN15-CT3-80CRI-UNV-1D-BZ-CB-OQT-FUS

SERIES

BN-PM Boston Pendant

SIZE

24 13" dia. x 24" long
30 13" dia. x 30" long
36 13" dia. x 36" long

MOUNTING

Note: See Mounting Options on Page 2

ST72 72" Stem (1/2" Dia.) w/ Static Canopy
ST(XX) Custom Stem Length (Specify) w/ Static Canopy
SW72 72" Stem (1/2" Dia.) w/ Swivel Canopy
SW(XX) Custom Stem Length (Specify) w/ Swivel Canopy
CLSM Cluster Mounting (Consult Factory)
RMB Rapid Mount Box

CENTER WATTAGE

LED40 LED 40 Watt
LED60 LED 60 Watt

UPLIGHT WATTAGE

UP10 LED Uplight 10 Watt
UP15 LED Uplight 15 Watt

DOWNLIGHT WATTAGE

DN10 LED Downlight 10 Watt
DN15 LED Downlight 15 Watt
DN20 LED Downlight 15 Watt

COLOR TEMPERATURE (CCT)

CT3 ±3000K LED Color Temp
CT35 ±3500K LED Color Temp
CT4 ±4000K LED Color Temp
CT5 ±5000K LED Color Temp

COLOR RENDERING INDEX (CRI)

80CRI 80 Color Rendering Index - STANDARD
90CRI 90 Color Rendering Index

VOLTAGE

347 347 Volt
UNV 120-277 Universal Volt Electronic Driver

CONTROL SCENARIO

Note: Required for fixtures with Uplight and/or Downlight. See details on Page 3.
Choose One = Ex: 1A

FINISH

BK Black
BZ Bronze
PA Painted Aluminum
SV Silvadillo Gray
WHT White

PREMIUM UPCHARGE FINISH

HBA Hand Brushed Aluminum w/ Clear Coat
CC Custom Color (Visit www.ralcolor.com)
- Provide RAL# or Make-to-Match Color Chip

TOP & BOTTOM LENSING

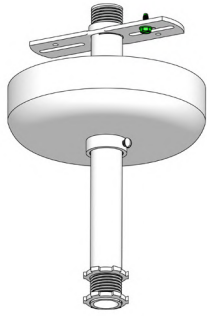
Note: You must select both Top and Bottom Lensing.

CT Clear Top Lens
CB Clear Bottom Lens
CTB Clear Top & Bottom Lens
OT Open Top (No Lensing)
OB Open Bottom (No Lensing)
OTB Open Top & Bottom (No Lensing)
OQT Opaque Top (No Up Light)
OQB Opaque Bottom (No Down Light)
OQTB Opaque Top & Bottom (No Up or Down Light)
TT Translucent Top Lens
TB Translucent Bottom Lens
TTB Translucent Top & Bottom Lens

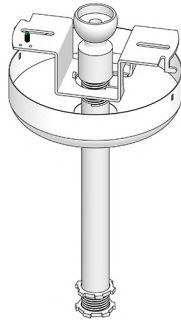
Additional Options on PAGE 2

MOUNTING OPTIONS

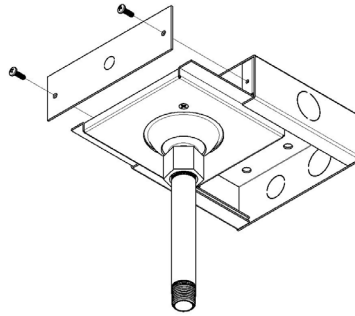
ST72 - Static Canopy
(Not to be used on Sloped Ceiling)



ST72 - Swivel Canopy



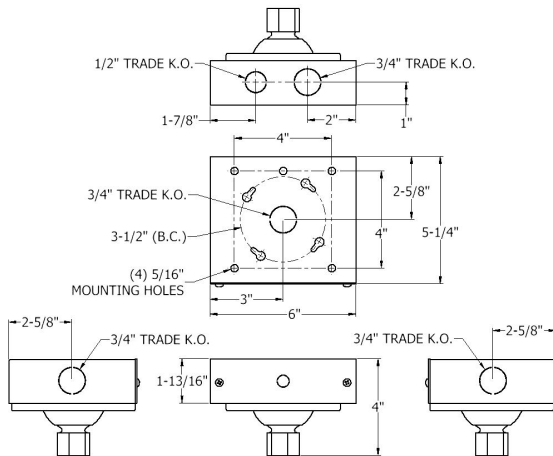
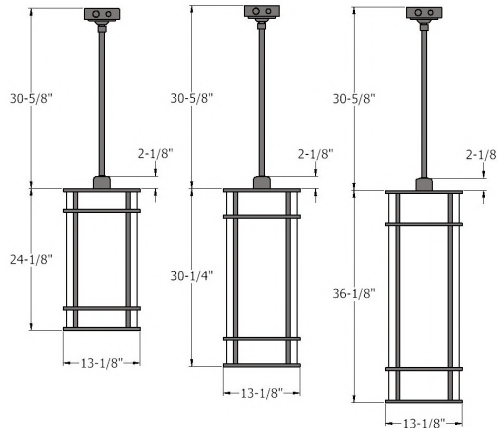
RMB - Rapid Mount Surface Box
(for surface conduit applications)



(RMB) MOUNTING



Dimensions Shown for Custom 24" Stem Length



CONTROL OPTIONS

Note: 0-10V 100%-30% is Standard

0-10D1 0-10VDC LED Dimming Driver (100-10%)

0-10D2 0-10VDC LED Dimming Driver (100-1%)

8DIM Triac Dimming

14DIM DMX Decoder (Controller by Others)

MISC OPTIONS

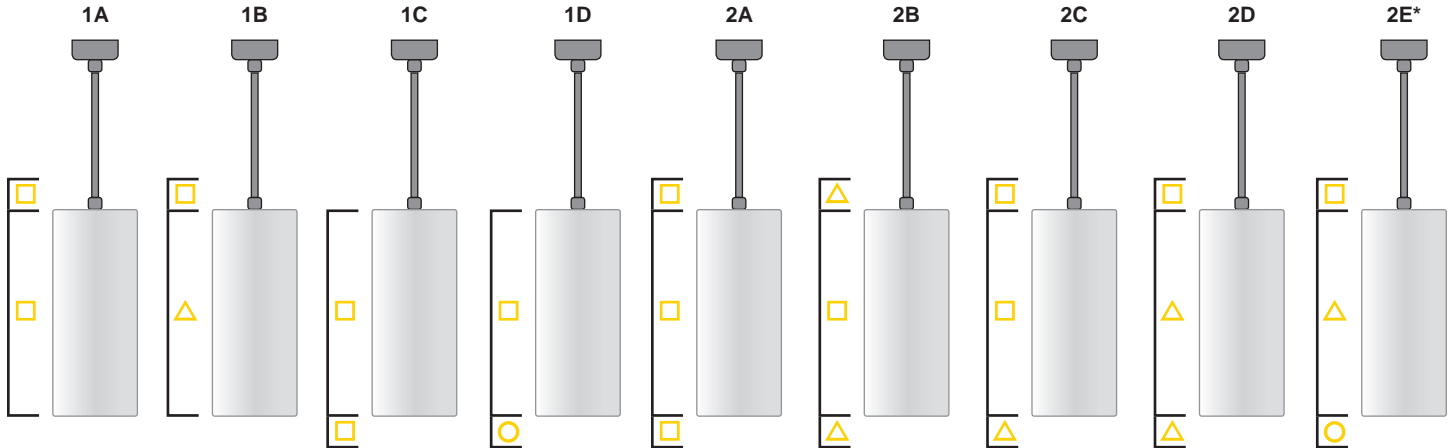
FUS Single Fusing

CONTROL SCENARIO

- = Circuit #1
- △ = Circuit #2
- = Circuit #3

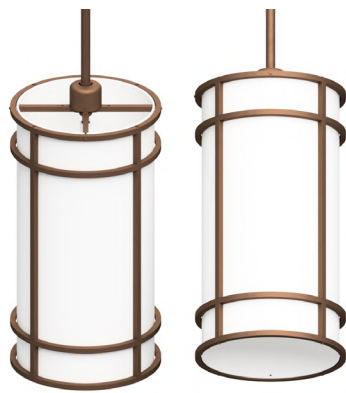
- Examples:
- & □ = Circuit #1A
 - & ○ = Circuit #1D
 - & △ & ○ = Circuit #2E

*Not available on 24" fixtures

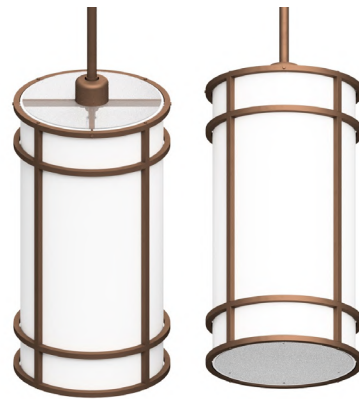


TOP & BOTTOM LENSING (Required)

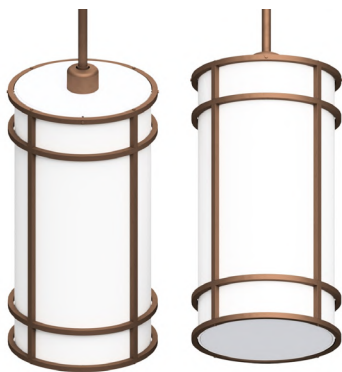
Open Top (OT) and/or Open Bottom (OB)
(Not available for Damp or Wet Installations)



Clear Top (CT) and/or Clear Bottom (CB)



Translucent Top (TT) and/or Translucent Bottom (TB)



Opaque Top (OQT) and/or Opaque Bottom (OQB)

