



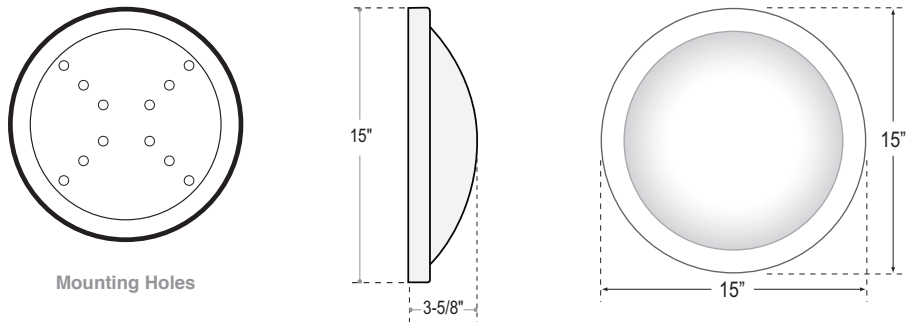
order example:
CAR-S-SLED-SCCT-UNV-WHT-SU

| | |
|--|--|
| SERIES | |
| CAR-S | Caribbean Shallow Series |
| LED WATTAGE | |
| Note: Refer to Chart for Wattage / Lumen Output | |
| SLED | Selectable LED Wattages: 21W 28W |
| LED COLOR TEMPERATURE (CCT) | |
| SCCT | Selectable CCT: 3000K 3500K 4000K 5000K |
| VOLTAGE | |
| UNV | 120/277 Universal Volt Electronic Driver |
| STANDARD FINISH | |
| BK | Black |
| BZ | Bronze |
| PA | Painted Aluminum |
| WHT | White — Standard |
| PREMIUM UPCHARGE FINISH | |
| CC | Custom Color (Visit www.ralcolor.com) — Provide RAL# or Make-to-Match Color Chip |
| +NAT | Conformal Coating - Light Engine Only |
| CONTROL OPTIONS | |
| SENSOR CONTROL (Sensor Integral to Fixture) | |
| OCC | Occupancy Sensing Motion Sensor Integral — Microwave / Single Feed / 120/277 Only — Stand-by Dim Level Presets: On/Off (0%/100%) — Max Mounting Height of Fixture: 18ft |
| MISC OPTIONS | |
| FUS | Single Fusing |
| SU | 10KA Surge Protection (ANSI Spec C62.41.2) |
| ACCESSORY OPTIONS | |
| Order As A Separate Line | |
| REMT | Remote Controller for Sensor Options |
| TPD | Tamperproof Screwdriver |

WATTAGE / LUMEN INFORMATION

| Wattage | CCT | Lumens | Efficacy |
|---------|-------|--------------|----------|
| 21 Watt | 3000K | 3,100 Lumens | 148 lm/W |
| | 3500K | 3,125 Lumens | 149 lm/W |
| | 4000K | 3,150 Lumens | 150 lm/W |
| | 5000K | 3,200 Lumens | 152 lm/W |
| 28 Watt | 3000K | 4,100 Lumens | 144 lm/W |
| | 3500K | 4,125 Lumens | 145 lm/W |
| | 4000K | 4,150 Lumens | 146 lm/W |
| | 5000K | 4,200 Lumens | 147 lm/W |

DIMENSIONS



| | |
|-------------------------|------|
| Catalog Number | |
| Project Name & Location | Type |

Product Specifications

DIFFUSER: Opal white polycarbonate is standard.

DRIVER: Universal Volt (120-277V) Electronic Driver. 0-10V Low Voltage Dimming (100% to 30%) is Standard.

FINISH: Polyester powder coat white Standard. Optional Custom Colors.

GASKETING: High temp, non-aging black EPDM gasketed seal. Seals diffuser to cast housing to protect against outside contaminants.

HOUSING: Spun aluminum housing with built-in heatsinks for thermal management.

MOUNTING: Indoor Surface, Wall or Ceiling.

COMPLIANCE: Built to comply with U.S. and Canadian Safety Standards.

Made in USA / Buy America Compliant / Buy American Act.