

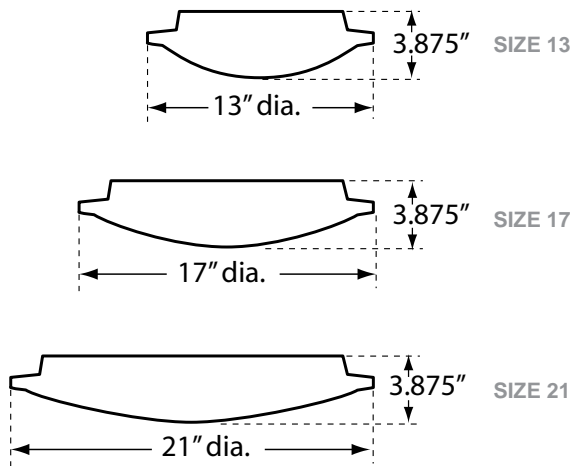


The Indoor Collection BURBANK

Decorative Wall, Ceiling, Pendant Mount — Selectable LED Wattage / CCT



DIMENSIONS



Catalog Number

Project Name & Location

Type

Product Specifications

DRIVER: Universal Voltage 120/277v Electronic Driver with 0-10V dimming (100-30%).

DIFFUSER: Opal white acrylic. Secures to housing pan without visible hardware.

EMERGENCY: Optional Remote Emergency Battery.

FINISH: Polyester powder coat white is Standard. Premium upcharge finishes available.

LIGHT ENGINE: Energy Efficient LED - Selectable Wattage / CCT.

HOUSING: Heavy gauge CRS pan.

MOUNTING: Furnished with J-Box mounting hardware for surface ceiling or wall mount. Pendant and Aircraft Cable options available.

COMPLIANCE: Built to comply with U.S. and Canadian safety standards. Suitable for damp locations. (Covered Ceiling Only).

order example:

BR-17-SLED-SCCT-UNV-WHT-BLD

SERIES

BR Burbank Series

SIZE

13 13" dia. x 3.875" deep

17 17" dia. x 3.875" deep

21 21" dia. x 3.875" deep

LED WATTAGE

SLED *Selectable LED Wattage

13"	17"	21"
15W 17W 20W	20W 30W	20W 30W

LED COLOR TEMPERATURE

SCCT *Selectable CCT: 3000K | 3500K | 4000K | 5000K

VOLTAGE

UNV 120-277 Universal Volt Driver

STANDARD FINISH

WHT White

PREMIUM UPCHARGE FINISH

BK Black

BZ Bronze

PA Painted Aluminum

CC Custom Color (Visit www.ralcolor.com)

– Provide RAL# or Make-to-Match Color Chip

– Subject to Setup Fee and Deposit

MOUNTING OPTIONS

AC10UPL 10ft Aircraft Cable Mount

– Includes 7W Uplight, Cone and Adjustable Cable

PEND12 Pendant Mount (12" Stem)

– Includes Canopy Swivel Kit (45°)

PEND12UPL Pendant Mount (12" Stem)

– Includes 7W Uplight, Cone, Canopy Swivel Kit (45°)

PEND(XX) Pendant Mount with Custom Stem Length

– XX = Stem Length in Inches

– Includes Canopy Swivel Kit (45°)

PEND(XX)UPL Pendant Mount with Custom Stem Length

– XX = Stem Length in Inches

– Includes 7W Uplight, Cone, Canopy Swivel Kit (45°)

SENSOR CONTROL OPTIONS

Note: Motion Sensor Max Mounting Height 18-Feet

OCC Occupancy Sensing / Motion Sensor Integral

– Microwave / Single Feed / 120/277 Only

– Stand-by Dimming Level Presets: ON/OFF

BLD Bi-Level Dimming - Motion Sensor Integral

– Microwave / Single Feed / 120/277 Only

– Stand-by Dimming Level Presets:

10% / 20% / 30% / 50%

EMERGENCY BATTERY OPTIONS

- Emergency Battery Options Meet California Energy Commission Title 20 [CEC-400-2014-009-CMF] Efficiency Standards

- Max Whip Length for REM is 8ft

REM4W Remote 4 Watt LED

REM8W Remote 8 Watt LED

ACCESSORY OPTIONS

Order As A Separate Line

REMT0009 Remote Controller for Sensor Options

***NOTE:** Fixtures will ship from factory at lowest wattage and warmest CCT. It is the installer's responsibility to set the fixture at the desired wattage and CCT for their project.

MOUNTING OPTIONS

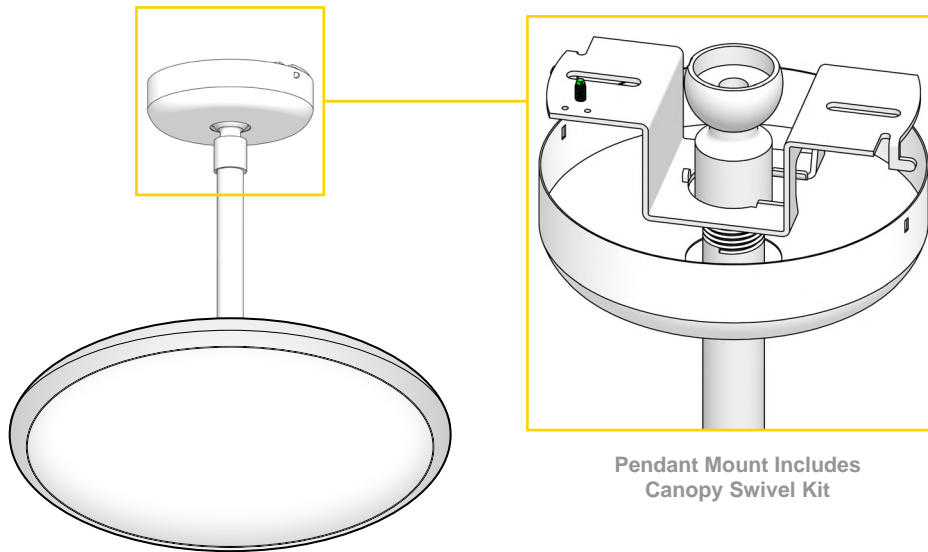


10' Aircraft Cable Mount (AC10UPL)
Includes 7W Uplight, Cone and Adjustable Cable



Pendant Mount (PM)
Shown with Standard 12" Stem

PENDANT CANOPY SWIVEL KIT



**Pendant Mount Includes
Canopy Swivel Kit**