



Drop Square Diffuser
(Standard)



STYLE

Note: Diagrams depicted feature Optional Drop Tapered Lens (DT)



Style A - No Back Box



Style B - Deep Back Box



Style C - Shallow Back Box

Catalog Number

Project Name & Location

Type

Product Specifications

APPLICATIONS: Eaves, Breezeways, Canopy, Soffit, Stairwell.

BACKPLATE: 14-gauge (0.064") die formed aluminum, used for surface mounting.

LENS: 1/8" thick UV resistant, Injection molded Clear Polycarbonate. Drop square is standard, Pyramidal drop lens (DP) optional.

LENS FRAME: 14-gauge (0.064") die formed aluminum. Securely mounts and seals the lens to back plate. Powder coat Textured White finish, standard. Optional colors available.

GASKETING: EPDM and/or Neoprene, seals diffuser to backplate and backplate to recessed junction box.

FASTENERS: Four Stainless Steel T15 Tamper-proof screws secure lens frame & lens to backplate.

DRIVER: Universal voltage (UNV) 120-277V with 0-10V dimming, standard. 347V optional with (BB)

back box option only

LIGHT ENGINE: High efficacy Light Emitting Diodes. Choose from 3K / 4K / 5K CCT.

BACK BOX: Used for surface mounted conduit and other options. Made from 14-gauge die formed aluminum and powder coat color finished same as lens frame. Provided with (7) 7/8" trade size knockouts.

EMERGENCY BACKUP: Optional integral or remote emergency batteries meet or exceeds 90-minute emergency backup requirement. Extreme cold weather backup option for operation down to -20°C. Style-B with deep back box required for Integral batteries.

REFLECTOR: 16G (.060) Aluminum Formed For Rigidity.

COMPLIANCE: Built to comply with U.S. and Canadian Safety Standards. Suitable for Wet Locations. **Buy American Act and Build America Buy America Act compliant.**

Order Example:

ZE-C-LED40-CT4-UNV-WHT-PHTD-EM10W

SERIES

ZE Zephyr Series

STYLE

A 12" Square x 3" Depth - No Back Box

B 12" Square x 5½" Depth
- Includes 2½" Deep Back Box

C 12" Square x 4" Depth
- Includes 1" Shallow Back Box

LED WATTAGE

LED15 15 Watt LED

LED25 25 Watt LED

LED40 40 Watt LED (Style B or Style C ONLY)

LED COLOR TEMPERATURE (CCT)

CT3 ±3000K LED Color Temp

CT4 ±4000K LED Color Temp

CT5 ±5000K LED Color Temp

VOLTAGE

347 347 Volts (NOT Available with Emergency Options)
- Compatible with Style B or C Only

UNV 120~277 Universal Volt Electronic Driver

STANDARD FINISH (LENS FRAME)

BK Black

BZ Bronze

PA Painted Aluminum

SV Silvadillo Gray

WHT Textured White (Standard)

PREMIUM UPCHARGE FINISH (LENS FRAME)

CC Custom Color (Visit www.ralcolor.com)

- Provide RAL# or Make-to-Match Color Chip

+NAT Epoxy Coating for Natatorium Finish

+OFC Epoxy Coating for Ocean Front Environments

PHOTOCELL OPTIONS

PHTD Photocell Button (120/277V)

- Compatible with Style B or C Only

CONTROL OPTIONS (Choose from Manual or Sensor)

MANUAL CONTROL (Wall Switch or Control System)

Note: Cannot be used with Sensor Controls Below
Note: 0-10V (100-30%) Dimming is Standard

0-10D1 0-10VDC LED Dimming Driver (100-10%)

0-10D2 0-10VDC LED Dimming Driver (100-1%)

BLS Bi-Level Switching (Includes Two Drivers)

- Compatible with Style B or C Only

OR

SENSOR CONTROL (Sensor Integral to Fixture)

Note: Cannot be used with Manual Controls Above
Note: Motion Sensor Max Mounting Height 18-Feet

OCC Occupancy Sensing | Motion Sensor Integral

- Microwave / Single Feed / 120/277 Only

- Stand-by Dim Level Presets: On/Off (0%/100%)

BLD Bi-Level Dimming | Motion Sensor Integral

- Microwave / Single Feed / 120/277 Only

- Stand-by DimLevel Presets:

10% / 20% / 30% (Standard) / 50%

MISC OPTIONS

DT Drop Tapered Polycarbonate Diffuser

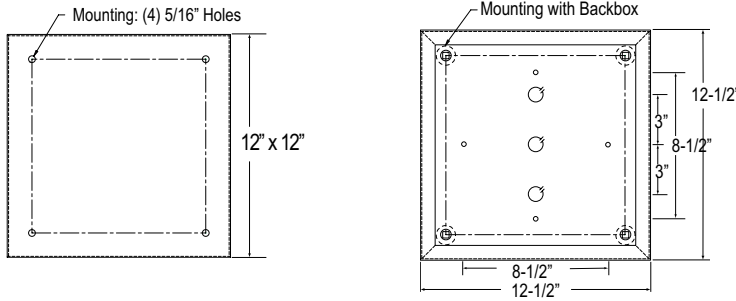
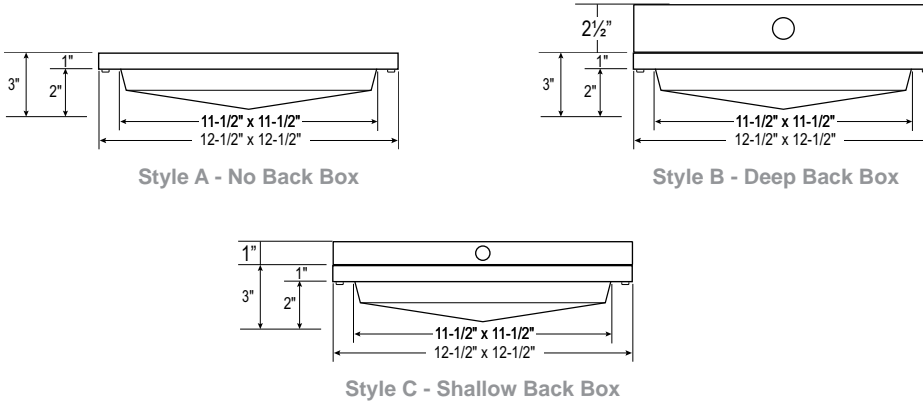
FUS Fuse and Fuseholder (Style B or Style C Only)

FUS2 Double Fusing (Style B or Style C Only)

Additional Options on PAGE 2

DIMENSIONS

Note: Diagrams depicted feature Optional Drop Tapered Lens (DT)



EMERGENCY BATTERY OPTIONS

- Emergency Battery Options Meet California Energy Commission Title 20 [CEC-400-2014-009-CMF] Efficiency Standards (Cold Weather is NON-CEC)
- Cold Weather Emergency Batteries Temp Range: -20°C thru 50°C
- Integral Emergency Batteries Compatible with Style-B and Style-C Only

EM4W Integral 4 Watt LED

EM8W Integral 8 Watt LED

EM10W Integral 10 Watt LED

EM16W Integral 16 Watt LED

EM10W-CW Integral 10 Watt LED - Cold Weather

REM4W Remote 4 Watt LED

REM8W Remote 8 Watt LED

REM10W Remote 10 Watt LED

REM16W Remote 16 Watt LED

REM10W- Remote 10 Watt LED - Cold Weather CW

ACCESSORY OPTIONS

Order As A Separate Line

REMT0009 Remote Controller for Sensor Options

TPD Tamperproof Screwdriver