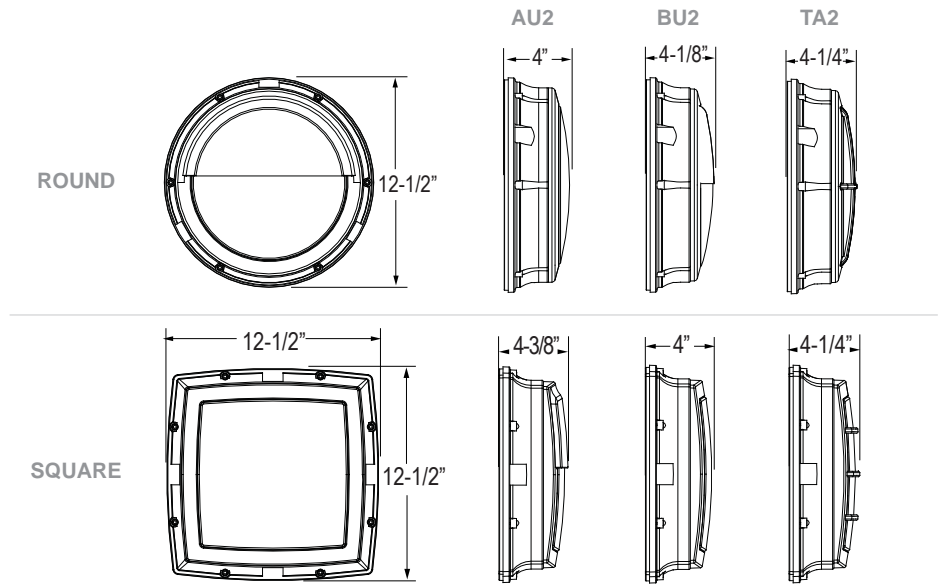


Model Types



*Suitable for Ceiling Mount Applications

DIMENSIONS



Catalog Number	
Project Name & Location	Type

Due to continual innovations and improvements all specifications are subject to change without notice.

Product Specifications

DRIVER: Universal Voltage 120/277V Electronic Driver with 0-10V dimming (100-30%) is standard.
EMERGENCY: Remote or Integral Emergency Battery (LED).
GASKETING: High temp., non-aging black EPDM and/or neoprene rubber concealed in housing pocket & enclosed by cast-in drip shield & rear wire entrance hole to protect against outside contaminants.
HOUSING: Heavy wall cast aluminum with wire access on back through threaded 1/2" conduit size entrance hole. Wire access is also available for surface conduit installations by drilling out any of the

side knockouts . Bronze oven baked Polyester Powder Coat standard. Available in three styles: Austin 2 (Eyelid), Buffalo 2* (Grid), Tampa 2* (Open)
LIGHT ENGINE: Energy Efficient Light Emitting Diode (LED).
LENS: Polycarbonate Opal Lens.
MOUNTING: Surface Mount.
COMPLIANCE: Built to comply with U.S. and Canadian safety standards. Suitable for Wet Location. IP66 Rated. Complies with Buy American Act.
WARRANTY: Standard 5 Years, defects and workmanship.

order example: AU2-RD-LED25-CT4-UNV-BZ-PHTD

SERIES	AU2 Austin 2 Series
	BU2 Buffalo 2 Series
	TA2 Tampa 2 Series
FRAME	RD 12" Round
	SQ 12" Square
LED WATTAGE	LED17 17 Watt
	LED25 25 Watt
LED COLOR TEMPERATURE (CCT)	CT3 ±3000K LED Color Temp
	CT4 ±4000K LED Color Temp
	CT5 ±5000K LED Color Temp
VOLTAGE	347 347 Volt
	480 480 Volt (25W Only)
	UNV 120~277 Universal Volt Electronic Driver
STANDARD FINISH	BZ Bronze
	WHT White
PREMIUM UPCHARGE FINISH	MOQ = 5 Pieces and Subject to Setup Fee
	BK Black
	PA Painted Natural Aluminum
	SV Silver Gray
	CC Custom Color (Visit www.ralcolor.com)
INHIBITOR FINISH	+AMW Anti-Microbial White
	+NAT Epoxy Coating for Natatorium - LED Boards Only
	+OFC Epoxy Coating for Ocean Front Environments - Cage Only
PHOTOCELL OPTIONS	PHTD* Photocell Button (120/277V)
CONTROL OPTIONS (Choose from Manual or Sensor)	MANUAL CONTROL (Wall Switch or Control System)
	0-10D2* 0-10VDC LED Dimming Driver (100-1%)
	BLS* Bi-Level Switching - Uses 2 Drivers (2UNV)
	OR
SENSOR CONTROL (Sensor Integral to Fixture)	Note: Motion Sensor Max Mounting Height 18-Feet
	OCC* Occupancy Sensing Motion Sensor Integral - Microwave / Single Feed / 120/277 Only - Stand-by Dim Level Presets: On/Off (0%/100%)
	BLD* Bi-Level Dimming Motion Sensor Integral - Microwave / Single Feed / 120/277 Only - Stand-by DimLevel Presets: 10% / 20% / 30% (Standard) / 50%
MISC OPTIONS	FUS* Fuse and Fuseholder (120/277V Only)
	FUS2* Double Fusingr (120/277V Only)
	TP Tamperproof Screws
EMERGENCY / BATTERY OPTIONS	• Emergency Battery Options Meet California Energy Commission Title 20 [CEC-400-2014-009-CMF] Efficiency Standards (Cold Weather is NON-CEC)
	• Cold Weather Emergency Batteries Temp Range: -20°C thru 50°C
	EM8W* Integral 9 Watt LED
	EM8W- Integral 8 Watt LED - Cold Weather CW*
	* Options with an asterisk are compatible with 120/277V Driver (UNV) Only



The North American Collection
“CITY” BULKHEADS
 Indoor/Outdoor — LED

PHOTOMETRIC PERFORMANCE DATA

MODEL NUMBER	LUMENS	LPW	WATTAGE	BUG RATING
AU2-RD-LED17-CT3	1850 Lumens	102 LPW	18.1W	B1-U1-G1
AU2-RD-LED17-CT4	2007 Lumens	111 LPW	18.1W	B1-U1-G1
AU2-RD-LED17-CT5	2090 Lumens	115 LPW	18.1W	B1-U1-G1
AU2-RD-LED25-CT3	2775 Lumens	102 LPW	27.1W	B1-U1-G1
AU2-RD-LED25-CT4	3010 Lumens	111 LPW	27.1W	B1-U1-G1
AU2-RD-LED25-CT5	3135 Lumens	116 LPW	27.1W	B1-U1-G1
AU2-SQ-LED17-CT3	N/A	N/A	18.1W	N/A
AU2-SQ-LED17-CT4	2149 Lumens	119 LPW	18.1W	B1-U1-G0
AU2-SQ-LED17-CT5	2238 Lumens	124 LPW	18.1W	B1-U1-G0
AU2-SQ-LED25-CT3	N/A	N/A	27.1W	N/A
AU2-SQ-LED25-CT4	3223 Lumens	119 LPW	27.1W	B1-U1-G1
AU2-SQ-LED25-CT5	3358 Lumens	124 LPW	27.1W	B1-U1-G1
BU2-RD-LED17-CT3	1888 Lumens	104 LPW	18.1W	B1-U1-G0
BU2-RD-LED17-CT4	2048 Lumens	113 LPW	18.1W	B1-U1-G0
BU2-RD-LED17-CT5	2134 Lumens	118 LPW	18.1W	B1-U1-G0
BU2-RD-LED25-CT3	2832 Lumens	105 LPW	27.1W	B1-U1-G0
BU2-RD-LED25-CT4	3073 Lumens	113 LPW	27.1W	B1-U1-G0
BU2-RD-LED25-CT5	3201 Lumens	118 LPW	27.1W	B1-U1-G0
BU2-SQ-LED17-CT3	1838 Lumens	102 LPW	18.1W	B1-U1-G0
BU2-SQ-LED17-CT4	1994 Lumens	110 LPW	18.1W	B1-U1-G0
BU2-SQ-LED17-CT5	2077 Lumens	115 LPW	18.1W	B1-U1-G0
BU2-SQ-LED25-CT3	2757 Lumens	102 LPW	27.1W	B1-U1-G0
BU2-SQ-LED25-CT4	2990 Lumens	110 LPW	27.1W	B1-U1-G0
BU2-SQ-LED25-CT5	3115 Lumens	115 LPW	27.1W	B1-U1-G0
TA2-RD-LED17-CT3	2220 Lumens	123 LPW	18.1W	B1-U1-G0
TA2-RD-LED17-CT4	2408 Lumens	133 LPW	18.1W	B1-U1-G0
TA2-RD-LED17-CT5	2509 Lumens	139 LPW	18.1W	B1-U1-G0
TA2-RD-LED25-CT3	3330 Lumens	123 LPW	27.1W	B1-U1-G0
TA2-RD-LED25-CT4	3613 Lumens	133 LPW	27.1W	B1-U1-G0
TA2-RD-LED25-CT5	3763 Lumens	139 LPW	27.1W	B1-U1-G0
TA2-SQ-LED17-CT3	2163 Lumens	120 LPW	18.1W	B1-U1-G0
TA2-SQ-LED17-CT4	2347 Lumens	130 LPW	18.1W	B1-U1-G0
TA2-SQ-LED17-CT5	2444 Lumens	135 LPW	18.1W	B1-U1-G0
TA2-SQ-LED25-CT3	3245 Lumens	120 LPW	27.1W	B1-U1-G0
TA2-SQ-LED25-CT4	3520 Lumens	130 LPW	27.1W	B1-U1-G0
TA2-SQ-LED25-CT5	3667 Lumens	135 LPW	27.1W	B1-U1-G0

Value LED Lights | PO Box 911 | Morton Grove, IL 60053 | PH: 847.840.1802 | www.valueledlights.com | sales@valueledlights.com