



High Abuse LED Collection E72-N · E74-N (Selectable Wattage/CCT)

Vandal Resistant Narrow Linear Luminaire — Selectable Wattage / CCT



order example:
E74-N-SLED-SCCT-UNV-WHT-OCC

SERIES
E72-N 2 Foot Linear E74 Narrow Series
E74-N 4 Foot Linear E74 Narrow Series

LED WATTAGE
SLED *Selectable LED Wattage
– E72-N: 20W | 30W | 40W
– E74-N: 35W | 42W | 50W

LED COLOR TEMPERATURE
SCCT *Selectable CCT
– 3000K | 4000K | 5000K

VOLTAGE
UNV 120–277 Universal Volt Electronic Driver
– Non-Dimmable

STANDARD FINISH
WHT White

PREMIUM UPCHARGE FINISH
BK Black
BZ Bronze
SV Silver Gray
CC Custom Color (Visit www.ralcolor.com)
– Provide RAL# or Make-to-Match Color Chip

CONDUIT ADAPTER BACK BOX OPTIONS
CAX2 Conduit Adapter Back Box for 2-Foot
CAX4 Conduit Adapter Back Box for 4-Foot

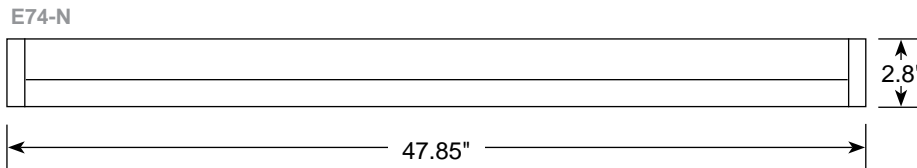
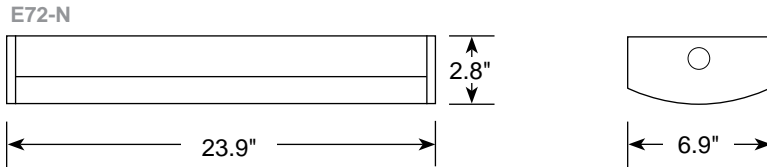
SENSOR OPTIONS
OCC Occupancy Sensing / Motion Sensor Integral
– Stand-by Dimming Level Presets: ON/OFF
– Max mounting height is 18 feet

EMERGENCY BATTERY OPTIONS
EM10W Integral 10 Watt Emergency Battery

MISC OPTIONS
TDM Tandem Joined Fixtures
– Requires Conduit Back Box (CA)

***NOTE:** Fixtures will ship from factory at lowest wattage and warmest CCT. It is the installer's responsibility to set the fixture at the desired wattage and CCT for their project.

DIMENSIONS



Catalog Number	
Project Name & Location	Type

Product Specifications

APPLICATIONS: Stairwells, Locker Rooms, Corridors, Hallways, Lavatories.

DRIVER: Universal volt (120-277v) electronic driver.

FASTENERS: Flat head stainless steel torx screws.

FINISH: Polyester powder coated finish.

HOUSING: Aluminum housing and heatsink.

LENS: Polycarbonate translucent lens for uniform light distribution.

LIGHT ENGINE: Energy Efficient LED - Selectable Wattage / CCT.

MOUNTING: Mounts to ceiling J-BOX via pre-cut mounting holes.

COMPLIANCE: Built to comply with U.S. and Canadian Safety Standards.

Complies with CE, CB, SAA, and the Buy American Act. ETL listed and meets DLC Requirements. Suitable for indoor wet locations (covered ceiling).

WARRANTY: 5-year Limited Warranty.



High Abuse LED Collection E72-N · E74-N (Static Wattage/CCT)

Vandal Resistant Narrow Linear Luminaire — Static Wattage / CCT



order example:

E74-N-LED50-CT4-UNV-WHT-0-10D2

SERIES

- E72-N 2 Foot Linear E74 Narrow Series
- E74-N 4 Foot Linear E74 Narrow Series

LED WATTAGE

E72-N Wattages

- LED20 20 Watt LED
- LED30 30 Watt LED
- LED40 40 Watt LED

E74-N Wattages

- LED30 30 Watt LED
- LED40 40 Watt LED
- LED50 50 Watt LED

LED COLOR TEMPERATURE

- CT3 ±3000K LED Color Temp
- CT35 ±3500K LED Color Temp
- CT4 ±4000K LED Color Temp
- CT5 ±5000K LED Color Temp

VOLTAGE

- UNV 120-277 Universal Volt Electronic Driver
– 0-10V Dimming (100-30%) is Standard

STANDARD FINISH

- WHT White

PREMIUM UPCHARGE FINISH

- BK Black
- BZ Bronze
- SV Silver Gray
- CC Custom Color (Visit www.ralcolor.com)
– Provide RAL# or Make-to-Match Color Chip

CONDUIT ADAPTER BACK BOX OPTIONS

- CAX2 Conduit Adapter Back Box for 2-Foot
- CAX4 Conduit Adapter Back Box for 4-Foot

CONTROL OPTIONS (Choose from Manual or Sensor)

MANUAL CONTROL (Wall Switch or Control System)

Note: Cannot be used with Sensor Controls Below
Note: 0-10V (100-30%) Dimming is Standard

- 0-10D1 0-10VDC LED Dimming Driver (100-10%)
- 0-10D2 0-10VDC LED Dimming Driver (100-1%)

OR

SENSOR CONTROL (Sensor Integral to Fixture)

Note: Cannot be used with Manual Controls Above
Note: Motion Sensor Max Mounting Height 18-Feet

- OCC Occupancy Sensing / Motion Sensor Integral
– Stand-by Dimming Level Presets: ON/OFF
– Max mounting height is 18 feet
- BLD Bi-Level Dimming - Motion Sensor Integral
– Stand-by Dimming Level Presets:
10% / 20% / 30% / 50%
– Max mounting height is 18 feet

EMERGENCY BATTERY OPTIONS

- EM10W Integral 10 Watt Emergency Battery

MISC OPTIONS

- TDM Tandem Joined Fixtures
– Requires Conduit Back Box (CA)

ACCESSORY OPTIONS

Order As A Separate Line

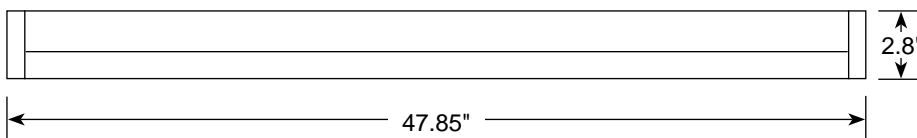
- REMT0019 Remote Controller for BLD Sensor Option

DIMENSIONS

E72-N



E74-N



Catalog Number	
Project Name & Location	Type

Product Specifications

APPLICATIONS: Stairwells, Locker Rooms, Corridors, Hallways, Lavatories.

DRIVER: Universal volt (120-277v) electronic driver.

FASTENERS: Flat head stainless steel torx screws.

FINISH: Polyester powder coated finish.

HOUSING: Aluminum housing and heatsink.

LENS: Polycarbonate translucent lens for uniform light distribution.

LIGHT ENGINE: Energy Efficient LED.

MOUNTING: Mounts to ceiling J-BOX via pre-cut mounting holes.

COMPLIANCE: Built to comply with U.S. and Canadian Safety Standards.

Complies with CE, CB, SAA, and the Buy American Act. ETL listed and meets DLC Requirements. Suitable for indoor wet locations (covered ceiling).

WARRANTY: 5-year Limited Warranty.

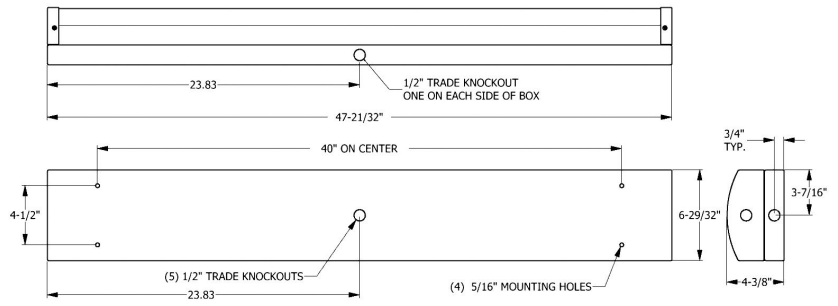


High Abuse LED Collection

E72-N · E74-N

Vandal Resistant Narrow Linear Luminaire — Selectable or Static Wattage / CCT

BACK BOX OPTION



PHOTOMETRIC DATA

Summary of Results E74-N-LED42-4K-UNV					
Lumen Output	Efficacy	Input Power	CCT	Distribution	BUG Rating
5,668.6 Lumens	129.4 Lm/W	43.79W	4000K	Type VS	B2-U3-G2

LCS Summary	
Zone	Lumens
Forward Low (0-30)	680.6
Forward Medium (30-60)	1309.1
Forward High (60-80)	551.0
Forward Very High (80-90)	114.2
Back Low (0-30)	683.9
Back Medium (30-60)	1323.6
Back High (60-80)	560.6
Back Very High (80-90)	117.1
Up Low (90-100)	116.5
Up High (100-180)	212.0

