

# AME ROUND (Selectable Wattage/CCT Series)

High Abuse Round Wall Sconce — Selectable Wattage / CCT



Ame Round Atlanta (AM-R-AL)    Ame Round Boston (AM-R-BN)    Ame Round Chicago (AM-R-CH)    Ame Round Cleveland (AM-R-CD)



**order example:**

**AM-R-BN-SLED-SCCT-UNV-BK-OCC**

**SERIES**

AM-R-AL Ame Round Atlanta Series

AM-R-BN Ame Round Boston Series

AM-R-CH Ame Round Chicago Series

AM-R-CD Ame Round Cleveland Series

**LED WATTAGE**

**Note: Refer to Chart for Wattage / Lumen Output**

SLED \*Selectable LED Wattages: 18W | 20W | 22W

**LED COLOR TEMPERATURE (CCT)**

SCCT \*Selectable CCT: 3000K | 4000K | 5000K

**VOLTAGE**

UNV 120-277 Universal Volt Electronic Driver  
– Non-Dimmable

**STANDARD FINISH**

BK Black

BZ Bronze

PA Painted Aluminum

WHT White

**PREMIUM UPCHARGE FINISH**

CC Custom Color (Visit [www.ralcolor.com](http://www.ralcolor.com))  
– Provide RAL# for Make-to-Match Color Chip

**PHOTOCELL OPTION**

**Note: Cannot be used with Sensor Option Below**

PHOT Photocell

OR

**SENSOR OPTION** (Sensor Integral to Fixture)

**Note: Cannot be used with Photocell Option Above**

OCC Occupancy Sensing / Motion Sensor Integral  
– Operational at 18 Watt Only

**MISC OPTION**

ST Solid Top (No Direct Uplight)

TP Torx Tamperproof Screws

**ACCESSORY OPTIONS**

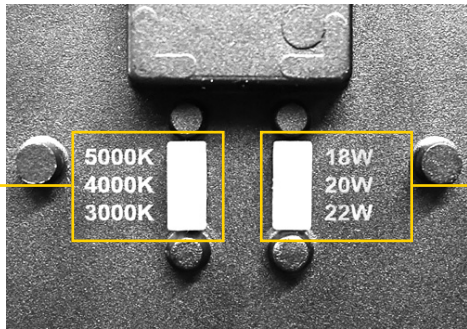
**Order As A Separate Line**

9008 T8 Torx Security Bit for Screwdriver

**\*NOTE:** Fixtures will ship from factory at lowest wattage and warmest CCT. It is the installer's responsibility to set the fixture at the desired wattage and CCT for their project.

Selectable Wattage / Lumen Output

Low Power	Medium Power	High Power
18 Watt (2160 Lumens)	20 Watt (2400 Lumens)	22 Watt (2640 Lumens)



Selectable CCT Switch  
3000K | 4000K | 5000K

5000K  
4000K  
3000K

Selectable Wattage Switch  
18W | 20W | 22W

18W  
20W  
22W

Selectable Wattage / CCT Switches  
Located on Back of Fixture

Catalog Number	
Project Name & Location	Type

**Product Specifications**

**DRIVER:** Universal Voltage 120/277V Electronic Driver. (Non-Dimming)

**FINISH:** Corrosion Resistant Polyester Powder Coated Finish.

**HOUSING:** Die Cast Aluminum Housing.

**LENS:** Anti-Yellowing and High Transmission Polycarbonate Diffuser.

**LIGHT ENGINE:** Energy Efficient Light Emitting Diode (LED) - Selectable Wattage / CCT.

Wattages: 18W, 20W or 22W / CCT: 3000K, 4000K or 5000K.

**LED LIFETIME:** ≥50,000hrs.

**MOUNTING:** Mounts to standard 3" and 4" recessed junction boxes via mounting strap. Can also be 4-point mounted via supplied mounting screws.

**OPERATING AMBIENT TEMPERATURE:** -20°C to +40°C (-4°F to 122°F)

**COMPLIANCE:** Built to comply with U.S. and Canadian safety standards. ETL, RoHS, ADA, and Buy American Act (BAA) Compliant. IP66 Rated, suitable for wet location.

**WARRANTY:** 5-Year Limited Warranty.

# AME ROUND (Static Wattage/CCT Series)

High Abuse Round Wall Sconce — Static Wattage / CCT | Optional Emergency Battery



Ame Round Atlanta (AM-R-AL)



Ame Round Boston (AM-R-BN)



Ame Round Chicago (AM-R-CH)



Ame Round Cleveland (AM-R-CD)



**order example:**

**AM-R-BN-LED15-CT4-UNV-BK-CA14-EM10W**

**SERIES**

AM-R-AL Ame Round Atlanta Series

AM-R-BN Ame Round Boston Series

AM-R-CH Ame Round Chicago Series

AM-R-CD Ame Round Cleveland Series

**LED WATTAGE**

LED10 10 Watt LED

LED15 15 Watt LED

**LED COLOR TEMPERATURE (CCT)**

CT3 ±3000K LED Color Temp

CT35 ±3500K LED Color Temp

CT4 ±4000K LED Color Temp

CT5 ±5000K LED Color Temp

**VOLTAGE**

UNV 120~277 Universal Volt Electronic Driver  
– 0-10V Dimming (100-10%) is Standard

**STANDARD FINISH**

BK Black

BZ Bronze

PA Painted Aluminum

WHT White

**PREMIUM UPCHARGE FINISH**

CC Custom Color (Visit [www.ralcolor.com](http://www.ralcolor.com))  
– Provide RAL# for Make-to-Match Color Chip

**PHOTOCELL OPTION**

PHOT Photocell  
– Requires Conduit Back Box (CA)

**SENSOR OPTION (Sensor Integral to Fixture)**

OCC Occupancy Sensing / Motion Sensor Integral  
– Requires Conduit Back Box (CA)

**MISC OPTION**

ST Solid Top (No Direct Uplight)

TP Torx Tamperproof Screws

**CONDUIT ADAPTER OPTION**

CA14 14”H x 5”W x 1.5”D Conduit Adapter Back Box

**EMERGENCY BATTERY OPTIONS**

- Emergency Battery Options Meet California Energy Commission Title 20 [CEC-400-2014-009-CMF] Efficiency Standands (Cold Weather is NON-CEC)
- Cold Weather Emergency Batteries Temp Range: -20°C thru 50°C
- Emergency Batteries Require Conduit Adapter (CA Option)

EM10W Integral 10 Watt LED

EM10W- Integral 10 Watt LED - Cold Weather CW

**ACCESSORY OPTIONS**

**Order As A Separate Line**

9008 T8 Torx Security Bit for Screwdriver

Catalog Number	
Project Name & Location	Type

**Product Specifications**

**DRIVER:** Universal Voltage 120/277V Electronic Driver with 0-10V Dimming (100-10%).

**FINISH:** Corrosion Resistant Polyester Powder Coated Finish.

**HOUSING:** Die Cast Aluminum Housing.

**LENS:** Anti-Yellowing and High Transmission Polycarbonate Diffuser.

**LIGHT ENGINE:** Energy Efficient Light Emitting Diode (LED) - Static Wattage / CCT.

Wattages: 10W, 15W / CCT: 3000K, 3500K, 4000K or 5000K.

**LED LIFETIME:** ≥50,000hrs.

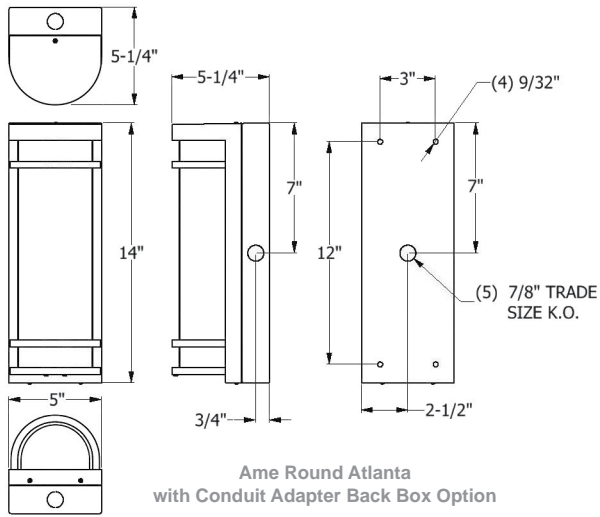
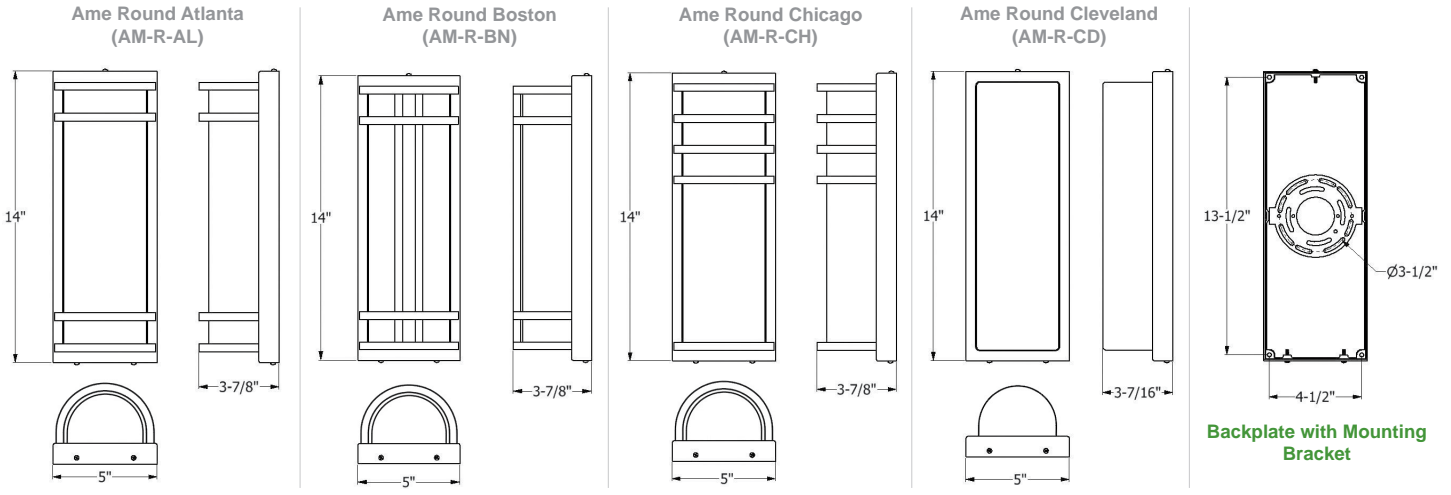
**MOUNTING:** Mounts to standard 3” and 4” recessed junction boxes via mounting strap. Can also be 4-point mounted via supplied mounting screws.

**OPERATING AMBIENT TEMPERATURE:** -20°C to +40°C (-4°F to 122°F)

**COMPLIANCE:** Built to comply with U.S. and Canadian safety standards. ETL, RoHS, ADA, and Buy American Act (BAA) Compliant. IP66 Rated, suitable for wet location.

**WARRANTY:** 5-Year Limited Warranty.

DIMENSIONS / OPTIONS



Shown with Optional Conduit Adapter Back Box



Solid Top (ST)  
No Direct Uplight