



Ceiling Mount (CM)



Wall Mount (WM)



WATTAGE / LUMENS PER CCT <i>(Values shown are standard without additional optical beam spread)</i>				
Wattage	3000K	3500K	4000K	5000K
5 Watts	656 Lumens	701 Lumens	709 Lumens	719 Lumens
10 Watts	1507 Lumens	1531 Lumens	1550 Lumens	1570 Lumens
15 Watts	2074 Lumens	2106 Lumens	2132 Lumens	2159 Lumens
25 Watts	3264 Lumens	3314 Lumens	3356 Lumens	3398 Lumens

Catalog Number	
Project Name & Location	Type

Product Specifications

DRIVER: Universal Voltage (120~277V) with 0-10V dimming is standard. 347 Volt optional for White LED only.

HOUSING: Heavy gauge aluminum cylinder.

FINISH: Powder Coat Finish applied over pre-treated surfaces.

LIGHT ENGINE: Energy Efficient LED Downlight (LD) is standard. For Wall Mount, LED Uplight (LU) is Optional.

LENS: .156" Clear Tempered Glass (85).

MOUNTING: Surface or Wall Arm Mount.

REFLECTOR: .032 Specular Aluminum Standard.

COMPLIANCE: Built to comply with U.S. and Canadian Safety Standards. Ceiling Surface and wall mount are suitable for Wet Locations.

Made in USA / Buy America Compliant / Buy American Act.

order example:

BFL-WM-LED15-CT4-UNV-1UD-BK-CAWM-EM8W

SERIES

- BF Bakersfield Series: 7" Diameter x 10" Long
- BFM Bakersfield Medium Series: 7" Diameter x 16" Long
- BFL Bakersfield Large Series: 7" Diameter x 20" Long
- BFXL Bakersfield X-Large Series: 7" Diameter x 26" Long

MOUNTING

- CM Surface Ceiling (LED Downlight Only)
- WM Wall Mount
 - Includes 3" Arm for BF(10") and BFM(16")
 - Includes 6" Arm for BFL(20") and BFXL(26")

DOWNLIGHT WATTAGE

- LED10 10W LED
- LED15 15W LED
- LED25 25W LED (BFL and BFXL CM Mount Only)

UPLIGHT WATTAGE (16"-26" WM Mount Only)

- LED10 10W LED
- LED15 15W LED

CM (Ceiling Mount) Available Wattages		
Size	Uplight	Downlight
BF (10")	N/A	10W / 15W
BFM (16")	N/A	10W / 15W
BFL (20")	N/A	10W / 15W / 25W
BFXL (26")	N/A	10W / 15W / 25W

WM (Wall Mount) Available Wattages		
Size	Uplight	Downlight
BF (10")	N/A	10W / 15W
BFM (16")	10W / 15W	10W / 15W
BFL (20")	10W / 15W	10W / 15W
BFXL (26")	10W / 15W	10W / 15W

CCT / COLOR - CHOOSE ONE:

LED COLOR TEMPERATURE (CCT) or

- CT3 ±3000K LED Color Temp
- CT35 ±3500K LED Color Temp
- CT4 ±4000K LED Color Temp
- CT5 ±5000K LED Color Temp

STATIC COLOR (4K with Color Insert)

- ACI Amber Color Insert
- BCI Blue Color Insert
- GCI Green Color Insert
- RCI Red Color Insert

VOLTAGE

- 347 347 Volts
- UNV 120~277 Universal Volt Driver

CONTROL SCENARIO

- 1U Uplight Only
- 1D Downlight Only
- 1UD Uplight / Downlight - Single Control
 - Available for 16"-26" WM Only
- 2UD Uplight / Downlight - Separate Control
 - Available for 16"-26" WM Only

STANDARD FINISH

- BK Black
- BZ Bronze
- PA Painted Aluminum
- WHT White

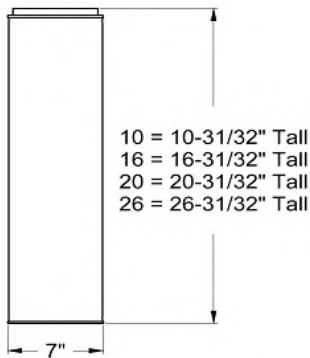
PREMIUM UPCHARGE FINISH

- CC Custom Color (Visit www.ralcolor.com)
 - Provide RAL# or Make-to-Match Color Chip

Additional Options on PAGE 2 

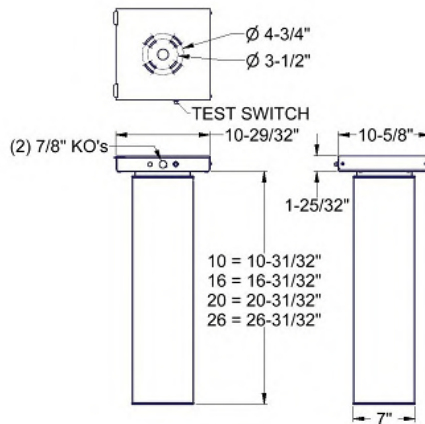
DIMENSIONS

CEILING MOUNT



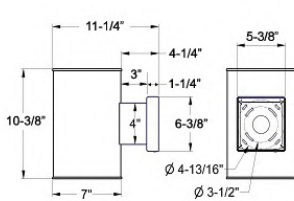
CEILING MOUNT w/ BBCM

For Integral EM or Surface Conduit Installations

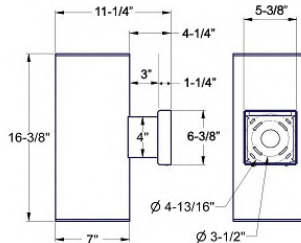


STANDARD WALL MOUNT (NON-EMERGENCY)

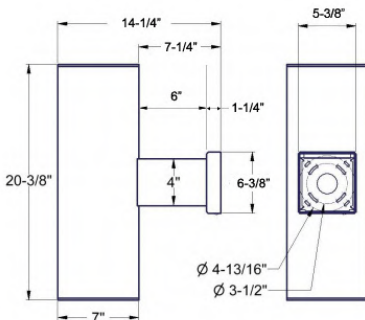
10" Fixture



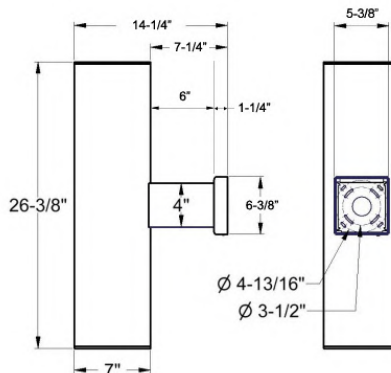
16" Fixture



20" Fixture



26" Fixture



BEAM SPREAD OPTIONS

Note A: Not available with Static Color Inserts.

Note B: See Page 3 for Images / Examples

S	Spot — 16°
M	Medium — 28°
W	Wide — 58°
XW	X-Wide — 74°
DL	Diffusion Lens — Includes Glare / Dust Control

DIMMING OPTIONS

MANUAL CONTROL (Wall Switch or Control System)

Note: 0-10V 100%-30% is Standard

0-10D1	0-10VDC LED Dimming Driver (100-10%)
0-10D2	0-10VDC LED Dimming Driver (100-1%)

CONDUIT ADAPTER BACK BOX

Note: Required for Integral EM Options

CACM	Conduit Adapter Ceiling - 10.625" Sq. x 1.78"D — Required for Surface Conduit Applications
CAWM	Conduit Adapter Wall - 4.75"W x 8.75"H x 2.875"D

EMERGENCY BATTERY OPTIONS

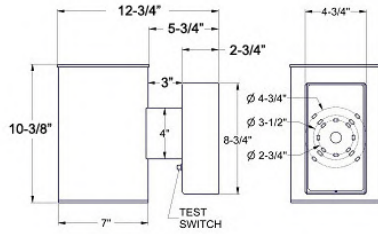
- Emergency Battery Options Meet California Energy Commission Title 20 [CEC-400-2014-009-CMF] Efficiency Standards (Cold Weather is NON-CEC)
- Cold Weather Emergency Batteries Temp Range: -20°C thru 50°C
- Max Whip Length for REM is 8ft
- Integral Emergency Battery Options Requires Conduit Adapter (CA Option)
- Integral Emergency Battery Options will only illuminate the **downlight portion** of the fixture when active.

EM4W	Integral 4 Watt LED
EM8W	Integral 8 Watt LED
REM4W	Remote 4 Watt LED
REM8W	Remote 8 Watt LED
REM16W	Remote 16 Watt LED
REM10W-	Remote 10 Watt LED - Cold Weather CW

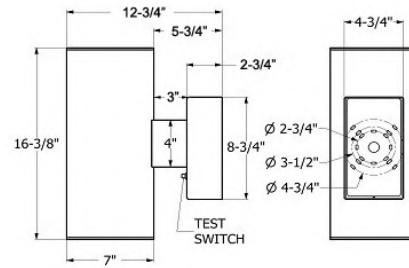
WALL MOUNT WITH CAWM DIMENSIONS

NOTE: For applications that include Integral Emergency Battery.

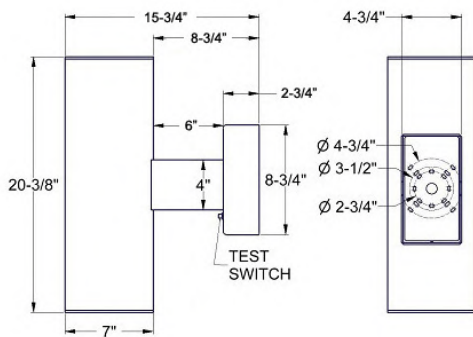
10" Fixture



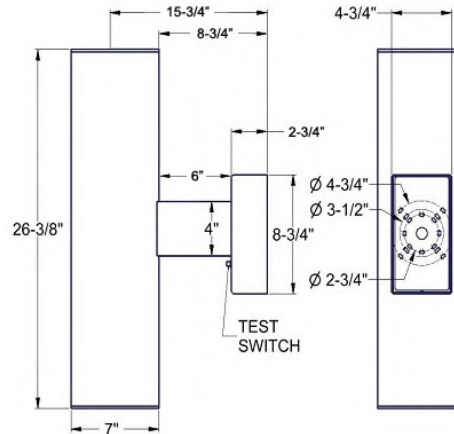
16" Fixture



20" Fixture

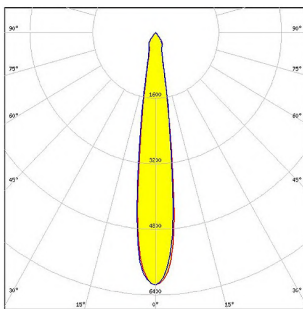


26" Fixture

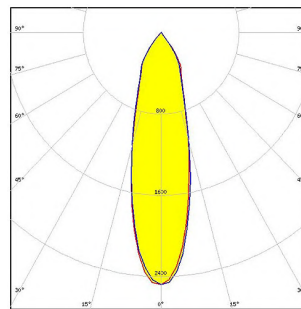


OPTIONAL BEAM SPREADS

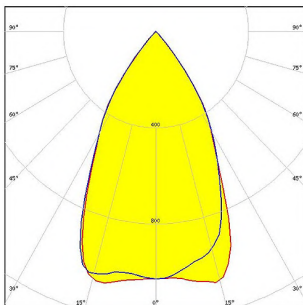
NOTE: Depiction of lumen distribution as depicted is subject to change minimally based upon selection of LED.



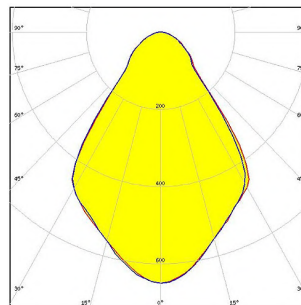
16° Spot (Wattage / Lumens)					
Watts	3000K	3500K	4000K	5000K	
5W	649	693	702	711	
10W	1491	1514	1533	1533	
15W	2052	2084	2110	2136	
25W	3229	3279	3321	3361	



28° Medium (Wattage / Lumens)					
Watts	3000K	3500K	4000K	5000K	
5W	649	693	702	711	
10W	1491	1514	1533	1533	
15W	2052	2084	2110	2136	
25W	3229	3279	3321	3361	



58° Wide (Wattage / Lumens)					
Watts	3000K	3500K	4000K	5000K	
5W	642	686	694	703	
10W	1475	1498	1517	1536	
15W	2030	2061	2087	2113	
25W	3195	3243	3285	3325	



74° Extra Wide (Wattage / Lumens)					
Watts	3000K	3500K	4000K	5000K	
5W	656	701	709	719	
10W	1507	1531	1550	1570	
15W	2074	2106	2132	2159	
25W	3264	3314	3356	3398	