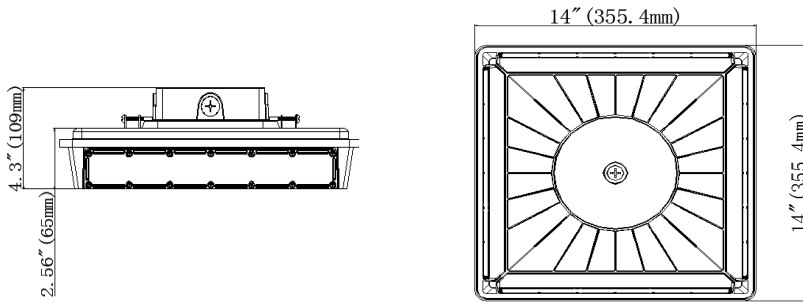


DIMENSIONS



OPTIONS



White Finish (WH)
Integral Motion Detector Unit (MD)

Catalog Number	
Project Name & Location	Type

Product Specifications

DIMENSIONS: 14" Square x 4.3" Depth.
DRIVER: Universal Voltage (120~277V) with 0-10V Dimming supplied as Standard.
HOUSING: Die cast aluminum housing with built-in cooling fins for LED Tj < 85°C.
FINISH: Die Cast aluminum housing finished in Bronze or White.
EFFICACY: 125 Lumens per Watt.
LUMINOUS FLUX: 4983 Lm.
LIFE SPAN: >50,000 Hrs Duty Cycle
LED LUMEN DECAY: <5% / 6000hrs
BEAM ANGLE: 274°.
UPLIGHT: 15%.

COLOR RENDERING INDEX: >80 CRI.
POWER FACTOR: ≥ 0.95.
POWER EFFICIENCY: ≥ 0.90%
MOUNTING: Ceiling surface mount via Quick Mount Box (Standard).
WEIGHT: 4.228Kg / 9.32lbs.
OPERATING/STORAGE TEMP: -30°C to 45°C / -40°C to 80°C
COMPLIANCE: Built to comply with U.S. and Canadian Safety Standards. Suitable for Wet Locations. c/UL and DLC Listed. IP65 Tested and Approved.
WARRANTY: 5 Year Limited Warranty.

order example:
GP14-SM-LED45-CT4-UNV-BZ-BLDA

SERIES

GP14 Garage Parking Canopy 14" Luminaire

MOUNTING OPTIONS

Note: See Page 2 for Diagrams/Examples

SM Surface Mount via Quick Mount Box (Standard)

PEND1- ½" Dia., 12" Length IPS Conduit Stem

CSW-RR – Includes Swivel Canopy for 4" Round Box

PEND1- ½" Dia., 12" Length IPS Conduit Stem

CSW-SR – Includes Swivel Canopy for 4" Square Box

LED WATTAGE

LED45 45 Watt LED (5100 Lumens)

LED70 70 Watt LED (7900 Lumens)

LED COLOR TEMPERATURE (CCT)

CT4 ±4000K LED Color Temp - MoQ=10

CT5 ±5000K LED Color Temp - STANDARD

VOLTAGE

UNV 120-277 Universal Volt Electronic Driver

FINISH

BZ Bronze - STANDARD

WHT White - MoQ=10

INHIBITOR FINISH OPTION

+NAT Epoxy Coating for Chlorine Environments

+OFC Epoxy Coating for Ocean Front Environments

– Applications Exposed to High Salt Levels

CONTROL OPTIONS

SENSOR CONTROL (Sensor Integral to Fixture)

Note 1: Motion Sensor Max Mounting Height 18-Feet

Note 2: See Accessory Options for Required Remote

OCC Occupancy Sensing | Motion Sensor

Integral

– Microwave / Single Feed / 120/277 Only

– Stand-by Dim Level Presets: On/Off (0%/100%)

BLD Bi-Level Dimming | Motion Sensor Integral

– Microwave / Single Feed / 120/277 Only

– Stand-by Dim Level Presets:

10% / 20% / 30% (Standard) / 50%

BLDA Bi-Level Dimming | Motion Sensor Integral

– Ambient Light Sensing Feature (AMB)

– Microwave / Single Feed / 120/277 Only

– Stand-by Dim Level Presets:

10% / 20% / 30% (Standard) / 50%

– Bi-Level Control Initiated at AMB Light Level Preset

EMERGENCY BATTERY OPTIONS

- Emergency Battery Options Meet California Energy Commission Title 20 [CEC-400-2014-009-CMF] Efficiency Standards

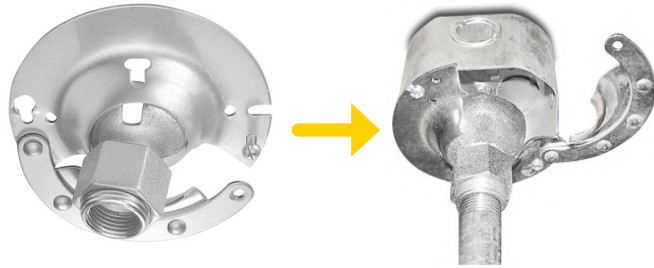
EM8W Integral 8 Watt LED Emergency Battery

ACCESSORY OPTIONS

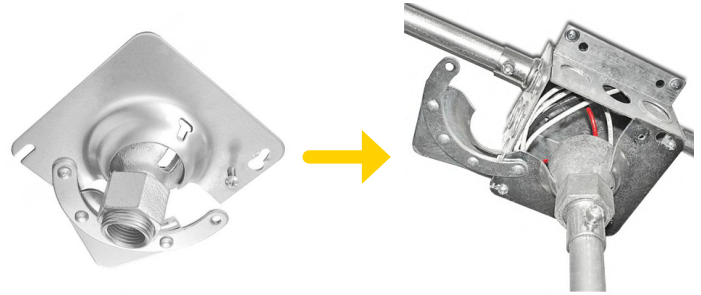
Order As A Separate Line

REMT Remote Controller for Sensor Options

PENDANT CANOPY SWIVEL TYPES



Canopy Swivel 4" for Round/Octagonal J-BOX
Rapid Mount with Hinged Door
(PEND1-CSW-RR)

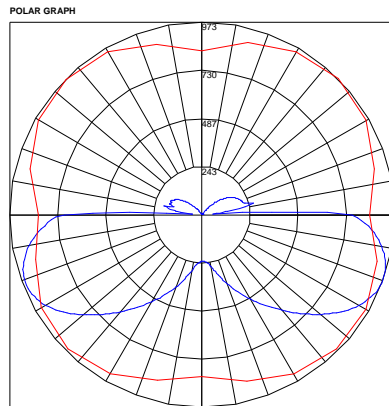


Canopy Swivel 4" for Square J-BOX
Rapid Mount with Hinged Door
(PEND1-CSW-SR)

PHOTOMETRIC DATA

Summary of Results GP14-LED45-CT5					
Lumen Output	Efficacy	Input Power	CCT	Distribution	BUG Rating
5,483.7 Lumens	126.1 Lm/W	43.5W	5000K	Type VS	B2-U4-G3

LCS Summary	
Zone	Lumens
Forward Low (0-30)	156.2
Forward Medium (30-60)	804.0
Forward High (60-80)	923.0
Forward Very High (80-90)	430.4
Back Low (0-30)	156.9
Back Medium (30-60)	805.6
Back High (60-80)	915.8
Back Very High (80-90)	425.0
Up Low (90-100)	311.4
Up High (100-180)	555.4



Summary of Results GP14-LED70-CT5					
Lumen Output	Efficacy	Input Power	CCT	Distribution	BUG Rating
8,618.3 Lumens	125.8 Lm/W	68.5W	5000K	Type VS	B3-U4-G4

LCS Summary	
Zone	Lumens
Forward Low (0-30)	239.8
Forward Medium (30-60)	1226.1
Forward High (60-80)	1367.8
Forward Very High (80-90)	635.2
Back Low (0-30)	254.5
Back Medium (30-60)	1320.2
Back High (60-80)	1492.2
Back Very High (80-90)	694.5
Up Low (90-100)	490.7
Up High (100-180)	897.3

