



**order example:**  
GT-B-M-SLED-SCCT-UNV-BZ

**SERIES**

GT-B Gotham-B Series

**SIZE**

S Small: 6½"W x 8"H x 4"D  
M Medium: 8½"W x 11"H x 5"D

**LED WATTAGE**

**Note: See Chart for Lumen Output on Page 2**

SLED \*Selectable LED Wattages  
Small: 22W | 28W | 35W  
Medium: 46W | 61W | 74W

**LED COLOR TEMPERATURE (CCT)**

SCCT \*Selectable CCT: 3000K | 4000K | 5000K

**VOLTAGE**

**Note: 0-10V Dimming (100%-10%) is Standard**

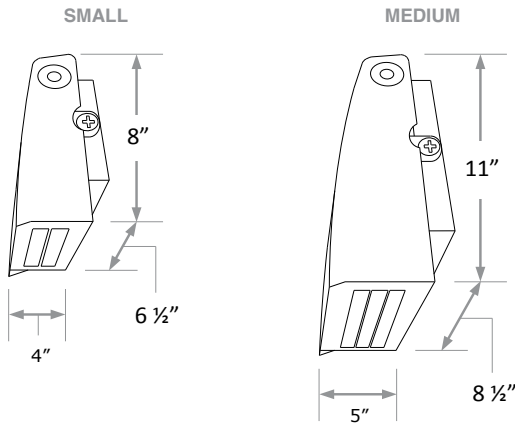
UNV 120-277 Universal Volt Electronic Driver

**STANDARD FINISH**

BZ Bronze

**\*NOTE:** Fixtures will ship from factory at lowest wattage and warmest CCT. It is the installer's responsibility to set the fixture at the desired wattage and CCT for their project.

**DIMENSIONS**



Catalog Number	
Project Name & Location	Type

**Product Specifications**

**DRIVER:** Universal voltage (120-277V), 0-10V dimming electronic driver is standard.

**FINISH:** Chip and fade resistant powder coat finish.

**HOUSING:** Precision die cast aluminum housing with adjustable head up to 90°.

**LENS:** UV-resistant polycarbonate lens.

**LIGHT ENGINE:** Energy efficient LEDs with at least 70% of initial lumen output (L70) for ≥146,000 hours of operation. Minimum 90% of initial lumen output (L90) for ≥44,000 hours of operation.

LED Wattage and CCT are field selectable. Color rendering index >80.

**OPERATIONAL TEMPERATURE:** -40°C to 50°C (-40°F to 122°F)

**MOUNTING:** Easy wall mount installation to standard 4" square electrical J-BOX.

**COMPLIANCE:** Built to comply with U.S. Safety Standards. DLC 5.1 approved. Complies with FCC Part 15 Class B, DLC premium approved, surge protection (4kV), IP65 Rated for Ingress Protection.

**WARRANTY:** Standard 5 Years, defects and workmanship.

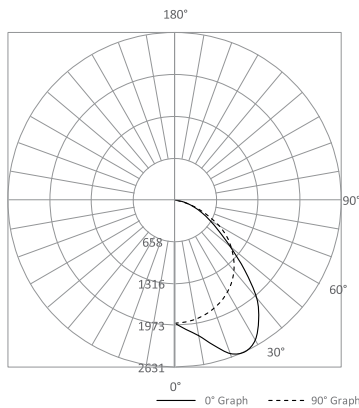
## WATTAGE / LUMEN OUTPUT

Model Size	Unit of Measurement	Low Lumens			Mid Lumens			High Lumens		
		3000K	4000K	5000K	3000K	4000K	5000K	3000K	4000K	5000K
Small	Lumens	3044 lms	3002 lms	3307 lms	3819 lms	3842 lms	4155 lms	4646 lms	5084 lms	5049 lms
	Watts	22W	20W	22W	28W	25W	28W	35W	34W	35W
	Efficacy	142 lm/W	154 lm/W	154 lm/W	137 lm/W	151 lm/W	149 lm/W	133 lm/W	151 lm/W	145 lm/W
	Input Current	120V = 0.18A	120V = 0.17A	120V = 0.18A	120V = 0.23A	120V = 0.21A	120V = 0.23A	120V = 0.29A	120V = 0.28A	120V = 0.29A
240V = 0.09A		240V = 0.08A	240V = 0.09A	240V = 0.12A	240V = 0.10A	240V = 0.12A	240V = 0.15A	240V = 0.14A	240V = 0.15A	
277V = 0.08A		277V = 0.07A	277V = 0.08A	277V = 0.10A	277V = 0.09A	277V = 0.10A	277V = 0.13A	277V = 0.12A	277V = 0.13A	
Medium	Lumens	6536 lms	7028 lms	7107 lms	8339 lms	9032 lms	9056 lms	9746 lms	10,734 lms	10,578 lms
	Watts	46W	45W	46W	61W	59W	61W	74W	71W	74W
	Efficacy	142 lm/W	157 lm/W	154 lm/W	137 lm/W	153 lm/W	148 lm/W	132 lm/W	150 lm/W	142 lm/W
	Input Current	120V = 0.60A	120V = 0.38A	120V = 0.60A	120V = 0.78A	120V = 0.49A	120V = 0.78A	120V = 0.97A	120V = 0.94A	120V = 0.97A
240V = 0.30A		240V = 0.19A	240V = 0.30A	240V = 0.39A	240V = 0.25A	240V = 0.39A	240V = 0.48A	240V = 0.47A	240V = 0.48A	
277V = 0.26A		277V = 0.16A	277V = 0.26A	277V = 0.34A	277V = 0.21A	277V = 0.34A	277V = 0.42A	277V = 0.41A	277V = 0.42A	

## PHOTOMETRIC DATA

Lumen Output	Efficacy	Input Power	CCT	Distribution	BUG Rating
5,049 Lumens	144 Lm/W	35W	5000K	Type II	B2-U0-G1

Zone	Lumens
Forward Low (0-30)	922
Forward Medium (30-60)	1,810
Forward High (60-80)	488
Forward Very High (80-90)	25
Back Low (0-30)	674
Back Medium (30-60)	979
Back High (60-80)	144
Back Very High (80-90)	6
Up Low (90-100)	0
Up High (100-180)	0



Lumen Output	Efficacy	Input Power	CCT	Distribution	BUG Rating
10,578 Lumens	143 Lm/W	74W	5000K	Type II	B3-U0-G1

Zone	Lumens
Forward Low (0-30)	1,924
Forward Medium (30-60)	3,727
Forward High (60-80)	999
Forward Very High (80-90)	53
Back Low (0-30)	1,432
Back Medium (30-60)	2,104
Back High (60-80)	324
Back Very High (80-90)	14
Up Low (90-100)	0
Up High (100-180)	0

