

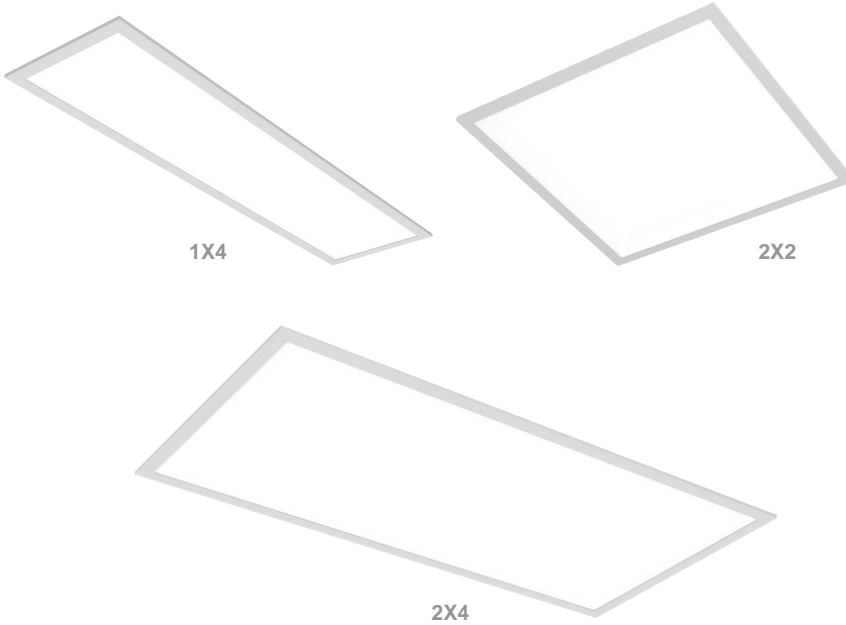


# The Recessed/Semi-Recessed Collection

## PL-S

Panel Light - Selectable Wattage / CCT

### MODEL SIZES



Size	Wattage (Nominal)	Lumens (Nominal)
1X4	18W   24W   28W	2295lm   3060lm   3570lm
2X2	18W   24W   30W	2295lm   3060lm   3825lm
2X4	30W   40W   50W	3825lm   5100lm   6000lm



Catalog Number	
Project Name & Location	Type

### Product Specifications

**DRIVER:** Universal Voltage 120-277V Electronic Driver with 0-10V Dimming.

**FINISH:** Painted White (WH).

**LENS:** Frosted polystyrene lens provides even illumination and low glare.

**HOUSING:** Aluminum frame with rigid die-formed steel back enclosure which prevents fixture from warping over time.

**LIGHT ENGINE:** Selectable Wattages. Backlit LED technology with even light distribution.

**COLOR TEMPERATURE:**

Selectable CCT: 3000K / 3500K / 4000K / 5000K / 6500K. CRI >80.

**EMERGENCY:** Optional Emergency Battery.

**MOUNTING:** Recessed mount in T-Bar grid ceiling with integral earthquake clips for secure attachment. Optional Surface or Suspension mounting available.  
**OPERATIONAL TEMP:** -20°C to 50°C (-4°F to 122°F).

**OPERATIONAL RATED LIFE:** 100,000 Hours

**COMPLIANCE:** Built to comply with U.S. and Canadian Safety Standards. RoHS / FCC / DLC Compliant. IC Rated for Insulated Ceilings. cUL/US Listed suitable for Damp Location.

**WARRANTY:** 5-Year Limited Warranty.

### order example:

PL-S-22-SLED-SCCT-UNV-WHT-SMK-22

#### SERIES

PL-S Panel Light - Selectable Watt/CCT

#### SIZE

14 1' x 4'

22 2' x 2'

24 2' x 4'

#### LED WATTAGE

**Note: See Chart for Size/Wattage Compatibility**

SLED \*Selectable LED Wattages

#### LED COLOR TEMPERATURE (CCT)

SCCT \*Selectable CCT

- 3000K | 3500K | 4000K | 5000K | 6500K

#### DRIVER VOLTAGE

UNV 120-277 Universal Volt Electronic Driver

- 0-10V Dimming is Standard

#### FINISH

WHT White

#### MOUNTING OPTIONS

**Note: See 2nd Page for Diagrams/Examples**

SMK-14 1X4 Surface Mount Kit

SMK-22 2X2 Surface Mount Kit

SMK-24 2X4 Surface Mount Kit

SSPM2 Suspension Mounting Kit | 2-Cable

SSPM4 Suspension Mounting Kit | 4-Cable

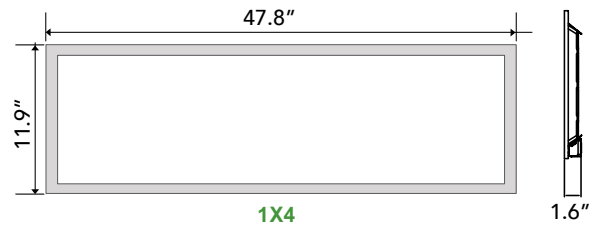
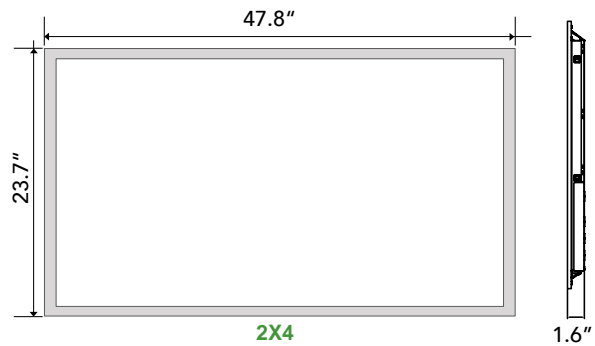
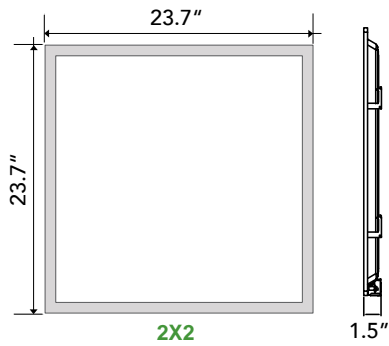
*NOTE: All Mounting Kits are to be ordered as a separate line item.*

#### EMERGENCY BATTERY OPTIONS

EM12W 12W Emergency Battery Backup

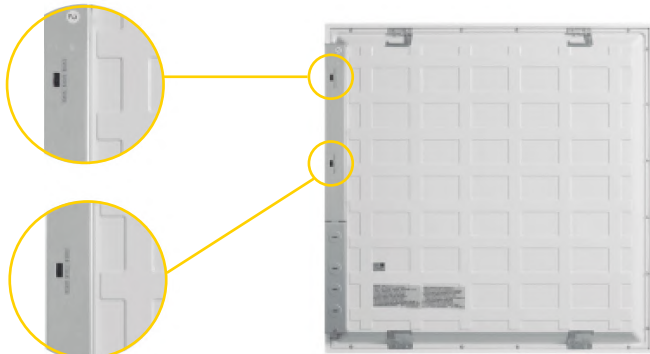
*\*NOTE: Fixtures will ship from factory at lowest wattage and warmest CCT. It is the installer's responsibility to set the fixture at the desired wattage and CCT for their project.*

## DIMENSIONS

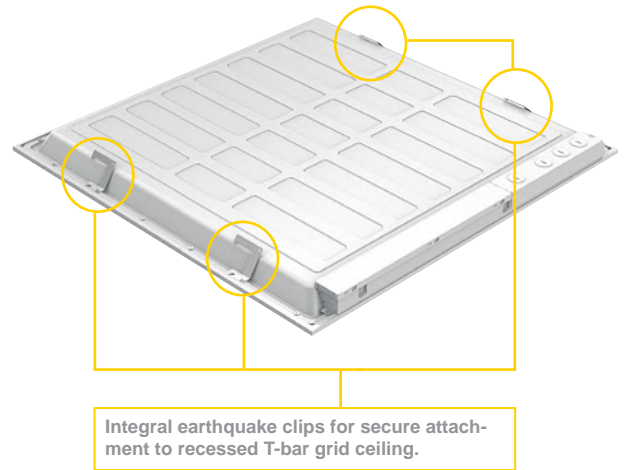


## FEATURES

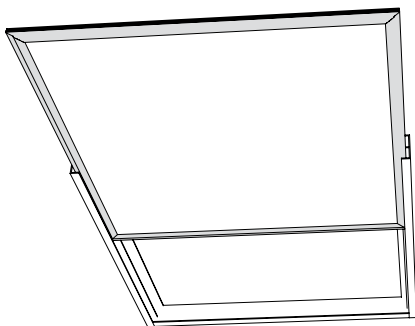
CCT Selectable



Wattage Selectable



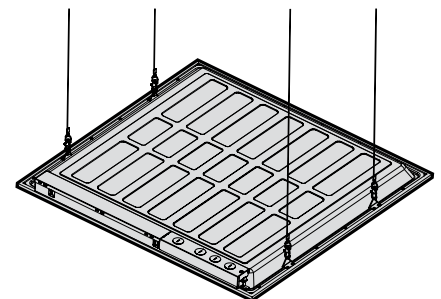
## MOUNTING OPTIONS



Optional Surface Mount Kit (SMK)



Optional Suspension Mount  
2-Cable Kit (SSPM2)



Optional Suspension Mount  
4-Cable Kit (SSPM4)