

Shown As: Style A (100% Downlight)  
 See Ordering Guide for Other Options



FASCIA STYLES



Fascia A



Fascia C

LED WATTAGE / LUMENS

WATTAGES	DISTRIBUTION	
	Downlight Only (DN)	50% Up / 50% Down
LED30 (30W)	3200 Lumens	1600 Lumens / 1600 Lumens
LED40 (40W)	4200 Lumens	2100 Lumens / 2100 Lumens
LED50 (50W)	5400 Lumens	2700 Lumens / 2700 Lumens

Catalog Number	
Project Name & Location	Type

**Product Specifications**

**DRIVER:** Universal Voltage 120/277v Electronic Driver with 0-10V dimming is standard.

**EMERGENCY:** Integral or Remote LED emergency battery.

**GASKETING:** High temperature, non-aging black EPDM and/or Neoprene Rubber concealed in housing pocket and enclosed by cast-in drip shield and rear wire entrance hole to protect against outside contaminants.

**HOUSING:** Formed and welded aluminum with line side wire access on the back, top and bottom through 1/2" trade size conduit knockouts.

**FINISH:** Oven baked Polyester Powder Coat.

**LIGHT ENGINE:** Energy Efficient Light Emitting Diode (LED).

**LENS:** UV stabilized 1/8" thick injection molded clear prismatic Hi-impact Polycarbonate.

**LENS FASTENERS:** Stainless steel tamperproof screws (4) to secure lens in place.

**MOUNTING:** Wall.

**REFLECTOR:** .032 aluminum painted white with high reflectivity.

**FASCIA:** 0.063" Aluminum Curved Fascia.

**COMPLIANCE:** Built to comply with U.S. and Canadian safety standards. Suitable for wet locations. **Made in USA / Buy America Compliant / Buy American Act.**

**order example:**

**BO-C-UP20-DN20-CT4-90CRI-UNV-BZ**

**SERIES**

BO Boulder Series

**FASCIA**

A Curved Fascia - Front Window Opening

C Curved Fascia - Solid Front

**DISTRIBUTION / WATTAGE**

Refer to LED Wattage / Lumens Table

**100% Downlight Only (Dark Sky Compliant) or**

DN30 30 Watt Total

DN40 40 Watt Total

DN50 50 Watt Total

**50% / 50% Uplight / Downlight Split or**

UP15-DN15 30 Watt Total

UP20-DN20 40 Watt Total

UP25-DN25 50 Watt Total

**Note: Use of SL option negates Dark Sky compliance**

SL Side Light

**LED COLOR TEMPERATURE (CCT)**

CT3 ±3000K LED Color Temp

CT35 ±3500K LED Color Temp

CT4 ±4000K LED Color Temp

CT5 ±5000K LED Color Temp

**COLOR RENDERING INDEX (CRI)**

80CRI 80 Color Rendering Index (STANDARD)

90CRI 90 Color Rendering Index (Not Available for 5K)

**VOLTAGE**

347 347 Volt

UNV 120-277 Universal Volt Electronic Driver

**STANDARD FINISH**

BK Black

BZ Bronze

PA Painted Aluminum

WHT Textured White - STANDARD

**PREMIUM UPCHARGE FINISH**

CC Custom Color (Visit [www.ralcolor.com](http://www.ralcolor.com))  
 - Provide RAL# or Make-to-Match Color Chip

**MISC OPTIONS**

FUS Fuse and Fuseholder

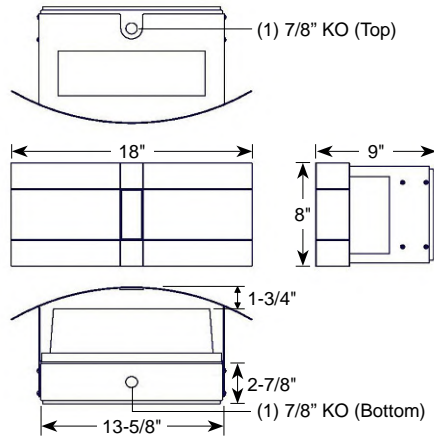
DFUS Double Fuse and Fuseholder

**Additional Options on PAGE 2** 

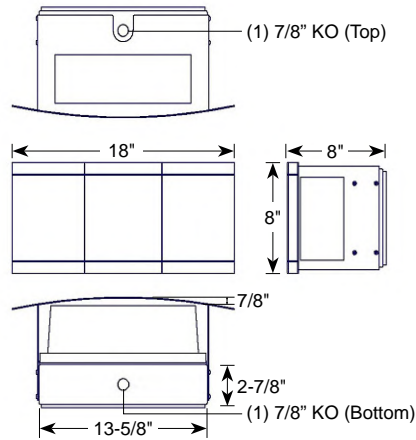
## DIMENSIONS



Fascia A

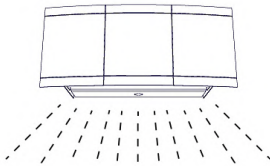


Fascia C

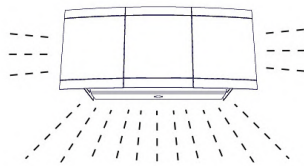


## DISTRIBUTION STYLES

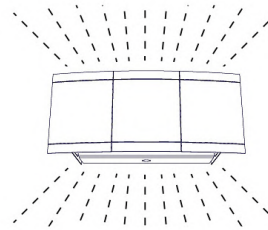
DN = 100% Downlight



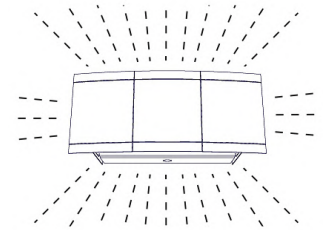
DN = 100% Downlight with Side Light (SL)



50/50 = 50% Uplight / 50% Downlight



50/50 = 50% Uplight / 50% Downlight with Side Light (SL)



## PHOTOCELL OPTIONS

- PHTD Photocell Button (120/277V)
  - Not Available with 50/50% Distribution

## CONTROL OPTIONS (Choose from Manual or Sensor)

**MANUAL CONTROL** (Wall Switch or Control System)  
**Note: Cannot be used with Sensor Controls Below**  
**Note: 0-10V (100-30%) Dimming is Standard**

- 0-10D1 0-10VDC LED Dimming Driver (100-10%)
- 0-10D2 0-10VDC LED Dimming Driver (100-1%)

### OR

**SENSOR CONTROL** (Sensor Integral to Fixture)  
**Note: Cannot be used with Manual Controls Above**  
**Note: Motion Sensor Max Mounting Height 18-Feet**

- OCC Occupancy Sensing / Motion Sensor Integral
  - Microwave / Single Feed / 120/277 Only
  - Stand-by Dimming Level Presets: ON/OFF
- BLD Bi-Level Dimming - Motion Sensor Integral
  - Microwave / Single Feed / 120/277 Only
  - Stand-by Dimming Level Presets: 10% / 20% / 30% / 50%

## EMERGENCY BATTERY OPTIONS

- Emergency Battery will ONLY illuminate Downlight
- Emergency Battery Options Meet California Energy Commission Title 20 [CEC-400-2014-009-CMF] Efficiency Standards (Cold Weather is Non-CEC)
- Cold Weather Emergency Batteries Temp Range: -20°C thru 50°C
- Constant Power Batteries have Constant Lumens
- Max Whip Length for REM is 8ft

EM8W Integral 8 Watt LED

EM10W Integral 10 Watt LED

EM16W Integral 16 Watt LED

EM10W-CW Integral 10 Watt LED - Cold Weather

REM8W Remote 8 Watt LED

REM10W Remote 10 Watt LED

REM16W Remote 16 Watt LED

REM10W-CW Remote 10 Watt LED - Cold Weather

## ACCESSORY OPTIONS

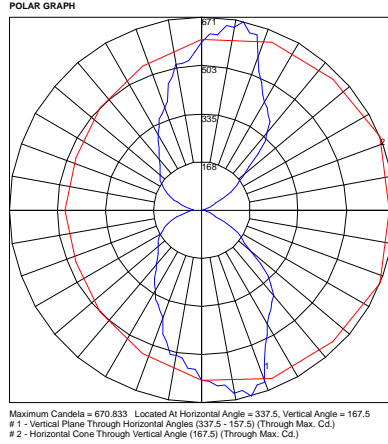
**Order As A Separate Line**

- REMT Remote Controller for Sensor Options
- TPD Tamperproof Screwdriver

## PHOTOMETRY

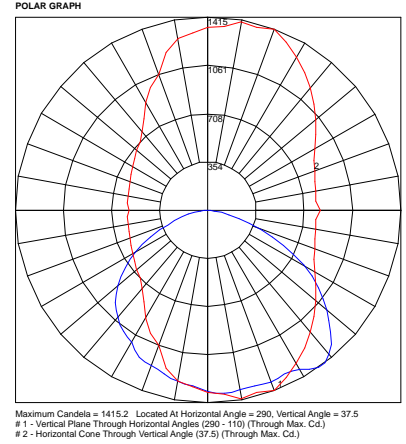
Summary of Results   BO-A-UP15-DN15-CT3-80CRI-UNV					
Lumen Output	Efficacy	Input Power	CCT	Distribution	BUG Rating
3012.8 Lumens	100.1 Lm/W	30.1W	3000K	N/A	B1-U5-G1

LCS Summary	
Zone	Lumens
Forward Low (0-30)	253.1
Forward Medium (30-60)	446.2
Forward High (60-80)	118.1
Forward Very High (80-90)	12.1
Back Low (0-30)	199.3
Back Medium (30-60)	350.4
Back High (60-80)	151.2
Back Very High (80-90)	30.3
Up Low (90-100)	35.6
Up High (100-180)	1416.5



Summary of Results   BO-C-DN40-CT4-80CRI-UNV					
Lumen Output	Efficacy	Input Power	CCT	Distribution	BUG Rating
3294.2 Lumens	82.4 Lm/W	40.0W	4000K	Type I	B1-U0-G1

LCS Summary	
Zone	Lumens
Forward Low (0-30)	554.1
Forward Medium (30-60)	994.9
Forward High (60-80)	254.4
Forward Very High (80-90)	9.4
Back Low (0-30)	456.9
Back Medium (30-60)	764.2
Back High (60-80)	240.3
Back Very High (80-90)	20.0
Up Low (90-100)	0.0
Up High (100-180)	0.0



Summary of Results   BO-C-UP25-DN25-CT5-80CRI-UNV					
Lumen Output	Efficacy	Input Power	CCT	Distribution	BUG Rating
5103.4 Lumens	103.3 Lm/W	49.4W	5000K	N/A	B1-U5-G1

LCS Summary	
Zone	Lumens
Forward Low (0-30)	428.7
Forward Medium (30-60)	755.8
Forward High (60-80)	200.0
Forward Very High (80-90)	20.6
Back Low (0-30)	337.7
Back Medium (30-60)	593.5
Back High (60-80)	256.2
Back Very High (80-90)	51.4
Up Low (90-100)	60.2
Up High (100-180)	2399.3

